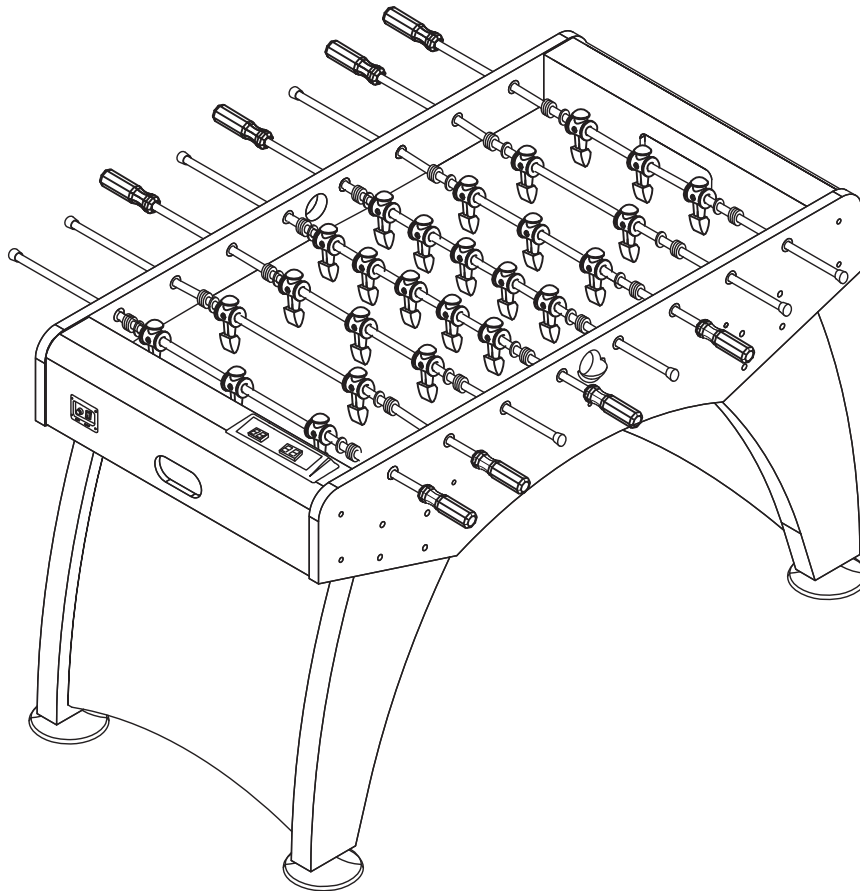




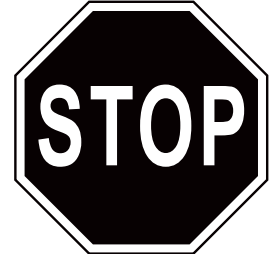
KICK Lumen 55"
(Brown/Black)
FOOSBALL TABLE
ASSEMBLY INSTRUCTIONS



FY500

Assembly Instructions

WARNING: TWO ADULTS ARE NEEDED TO ASSEMBLE THE SOCCER TABLE



Official Website of KICK Foosball Tables



IF YOUR TABLE HAS DAMAGES, MISSING PARTS, OR YOU ARE NOT **100%** SATISFIED PLEASE CONTACT **KICK, NOT THE RESELLER.**

← SCAN THIS QR CODE TO CONTACT US IF YOU FACE ANY ISSUES.

FOR THE LATEST INSTRUCTION MANUALS, VIDEOS, TABLE ASSEMBLY INFO, DIFFERENT GOALIE SETUPS, PLAYER TYPES, AND OTHER HELPFUL TIPS - PLEASE VISIT THE LINK BELOW OR SCAN THIS QR CODE →

www.KICKFoosballTables.com/Instructions/



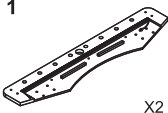
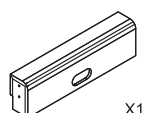
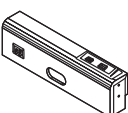
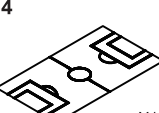


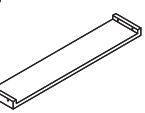


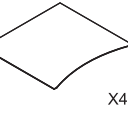
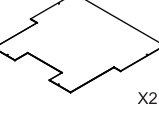

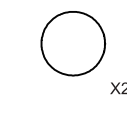


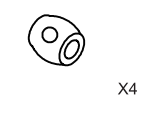
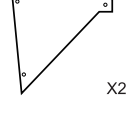
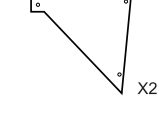
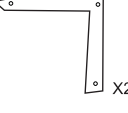
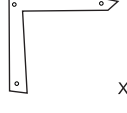
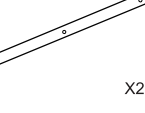
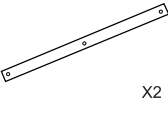
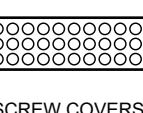
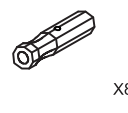
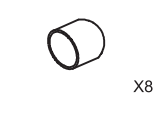






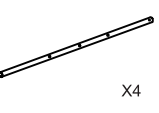
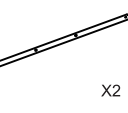
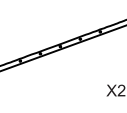

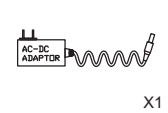


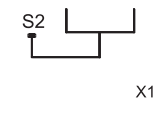
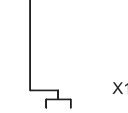
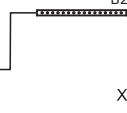
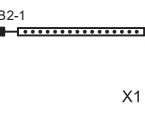
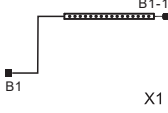
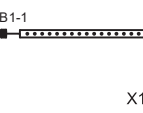
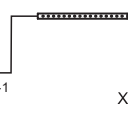
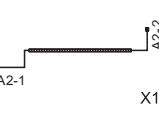
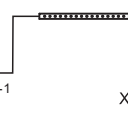

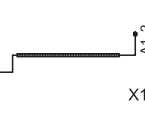
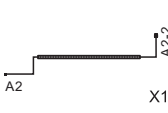

CONTACT INFORMATION:

Email: Support@KICKFoosballTables.com
Website: www.KICKFoosballTables.com
Phone: 1 (866) 844-KICK (5425) or (210) 664-8934


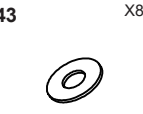

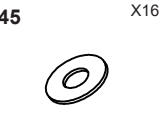
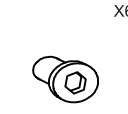
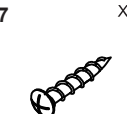
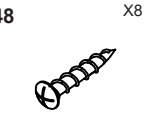
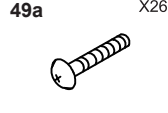
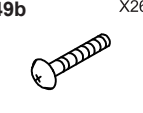


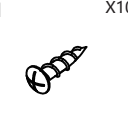
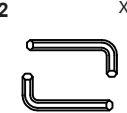
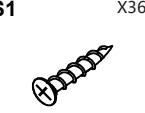
MAILING ADDRESS:

KICK Sports
PO Box 790311
San Antonio, Texas 78279

PARTS LIST

1  X2 SIDE PANEL	2  X1 END PANEL (A)	3  X1 END PANEL (B)	4  X1 PLAYFIELD	5  X2 RIGHT LEG	6  X2 LEFT LEG	7  X2 LEG SUPPORT BOARD
8  X3 SUPPORT BRACE	9  X3 SUPPORT ROD	10  X4 LEG BOARD	11  X2 WIRES PROTECTION BOARD	12A  X2 SOCCER BALL	12B  X2 SOCCER BALL	12C  X2 SOCCER BALL
13  X2 BALL ENTRY CUP	14  X4 STOP RING	1a  X2 TRIANGLE a	1b  X2 TRIANGLE b	2a  X2 L STYLE PLASTIC a	2b  X2 L STYLE PLASTIC b	3a  X2 LONG PLASTIC a
3b  X2 LONG PLASTIC b	P13  1 SET SCREW COVERS (to cover the hole of the screws S1)	15  X8 ROD HANDLE	16  X8 ROD END CAP	17  X16 ROD BUMPER	18  X16 ROD WASHER	22a  X13 PLAYER
22b  X13 PLAYER	22c  X13 PLAYER	22d  X13 PLAYER	23  X4 3 PLAYER ROD	24  X2 2 PLAYER ROD	25  X2 5 PLAYER ROD	26  X4 LEG LEVELER
27  X1 ADPATER	28  X1 SCORE DISPLAY	29  X1 CONTROL PAD	30  X1 SCORING SENSOR WIRE	31  X1 SCORING SENSOR WIRE	32  X1 END PANEL LED WIRE	33  X1 END PANEL LED WIRE
34  X1 END PANEL LED WIRE	35  X1 END PANEL LED WIRE	36  X1 RIGHT LEG LED WIRE	37  X1 LEFT LEG LED WIRE	38  X1 RIGHT LEG LED WIRE	39  X1 LEFT LEG LED WIRE	40  X1 SIDE PANEL LED WIRE
41  X1 SIDE PANEL LED WIRE	53  X8 1/8" X 3/4" SCREWS					

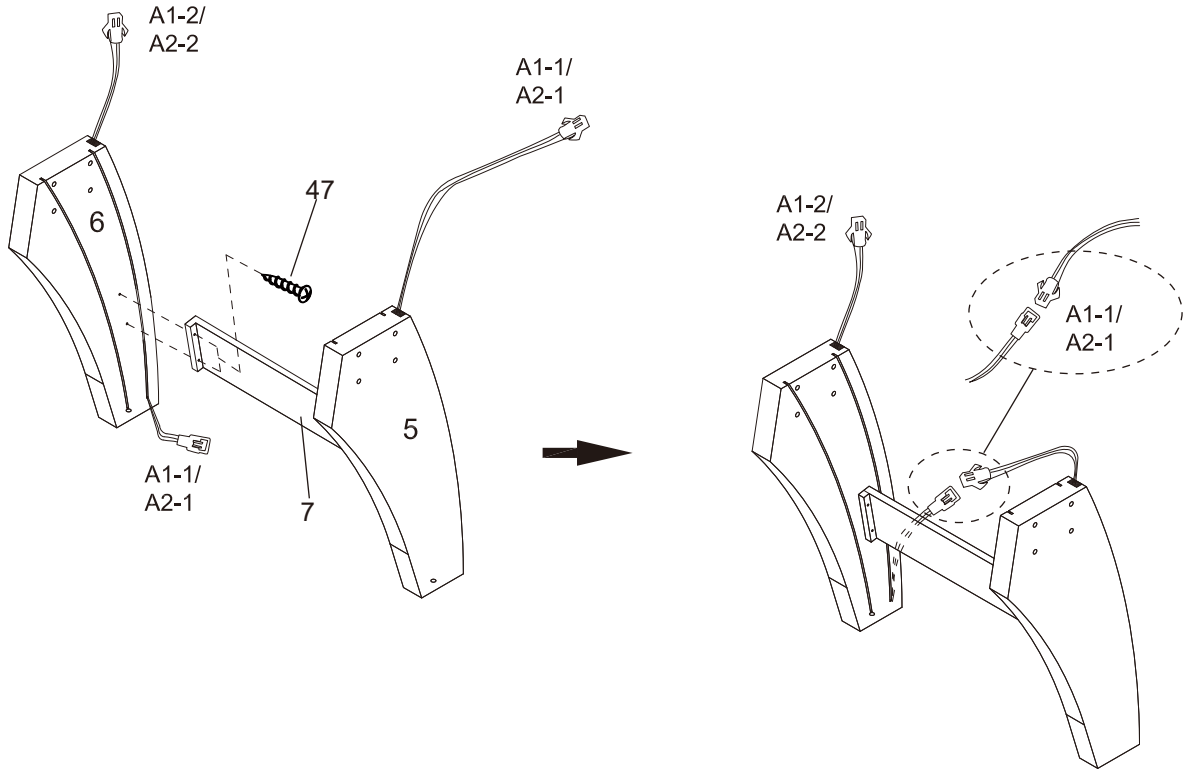
HARDWARE

42  X8 1/4" X 2" BOLT	43  X8 1/4" WASHER	44  X16 5/16" X 2-1/4" BOLT	45  X16 5/16" WASHER	46  X6 1/4" NUT	47  X8 1/8" X 1-1/4" SCREWS	48  X8 1/8" X 1" SCREWS
49a  X26 5/32" X 1-1/8" BOLT	49b  X26 5/32" X 1-1/8" BOLT	50a  X26 5/32" NUT	50b  X26 5/32" NUT	51  X10 1/8" X 1/2" SCREWS	52  X2 ALLEN WRENCH	S1  X36 1/2" FLAT HEAD SCREWS

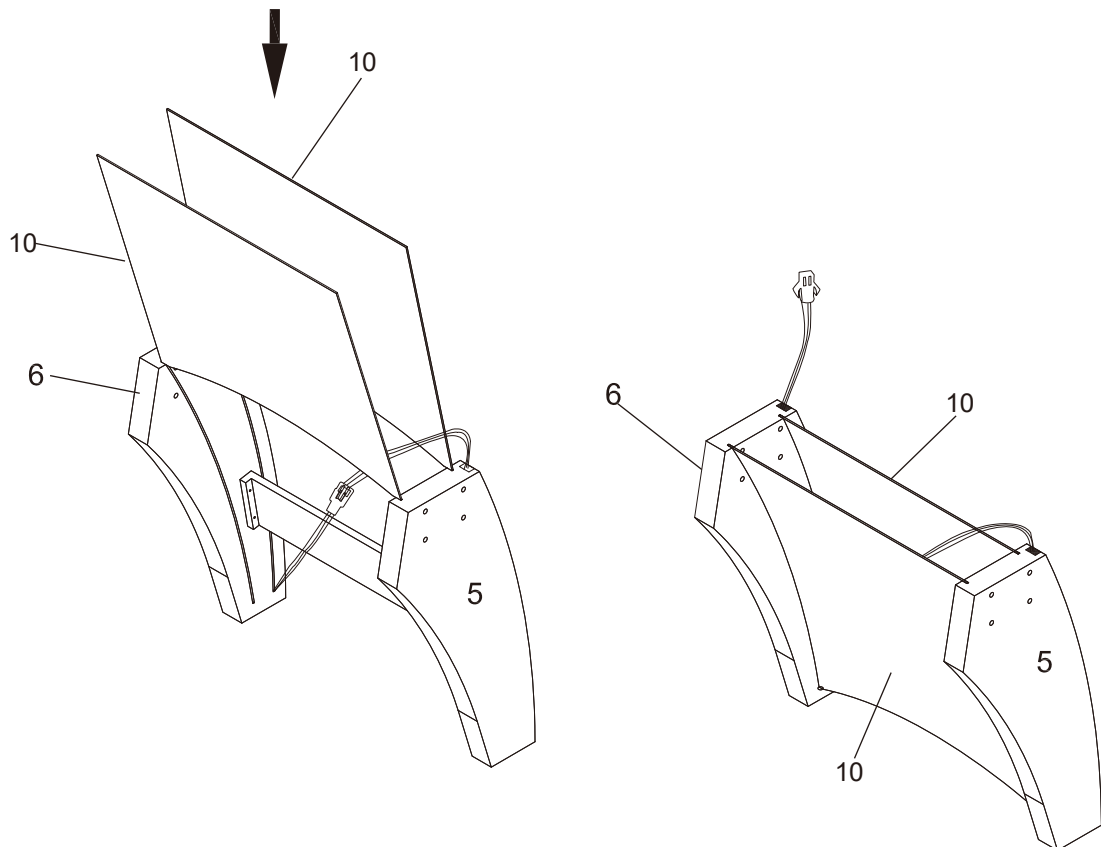
Assembly Instructions

WARNING: TWO ADULTS ARE NEEDED TO ASSEMBLE THE SOCCER TABLE

STEP 1



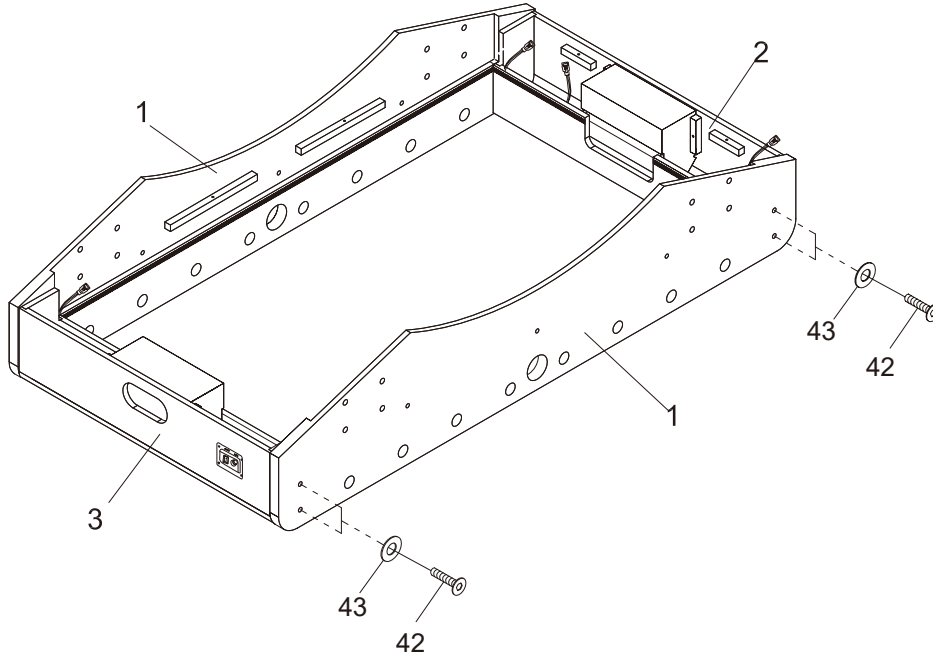
STEP 2



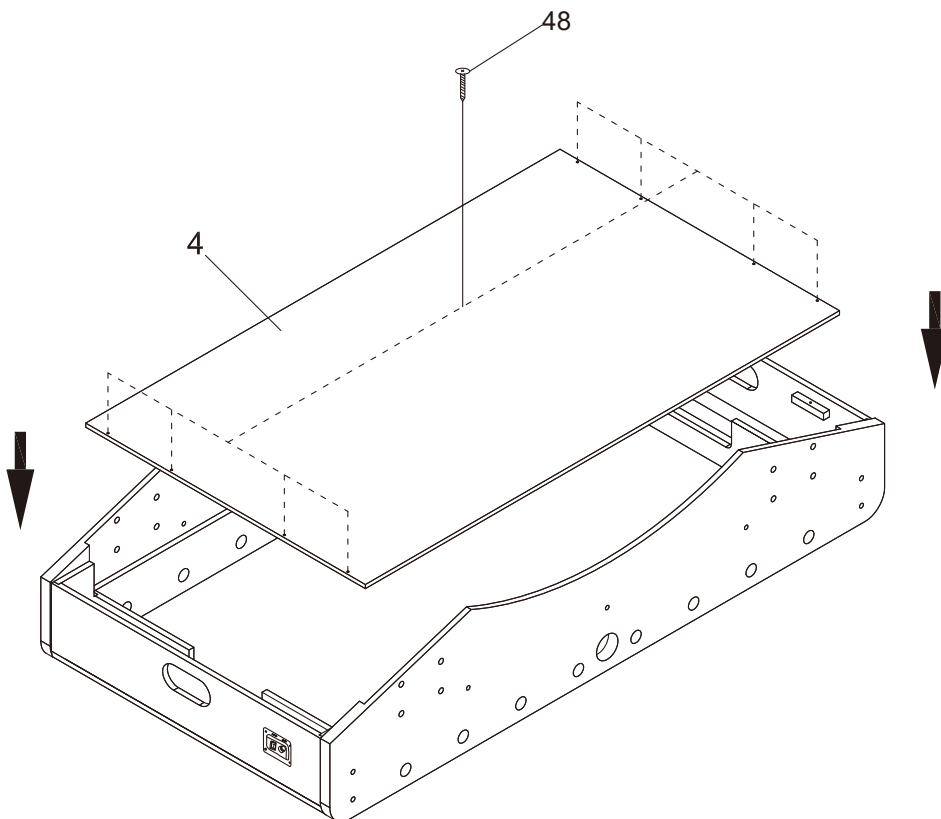
Assembly Instructions

WARNING: TWO ADULTS ARE NEEDED TO ASSEMBLE THE SOCCER TABLE

STEP 3



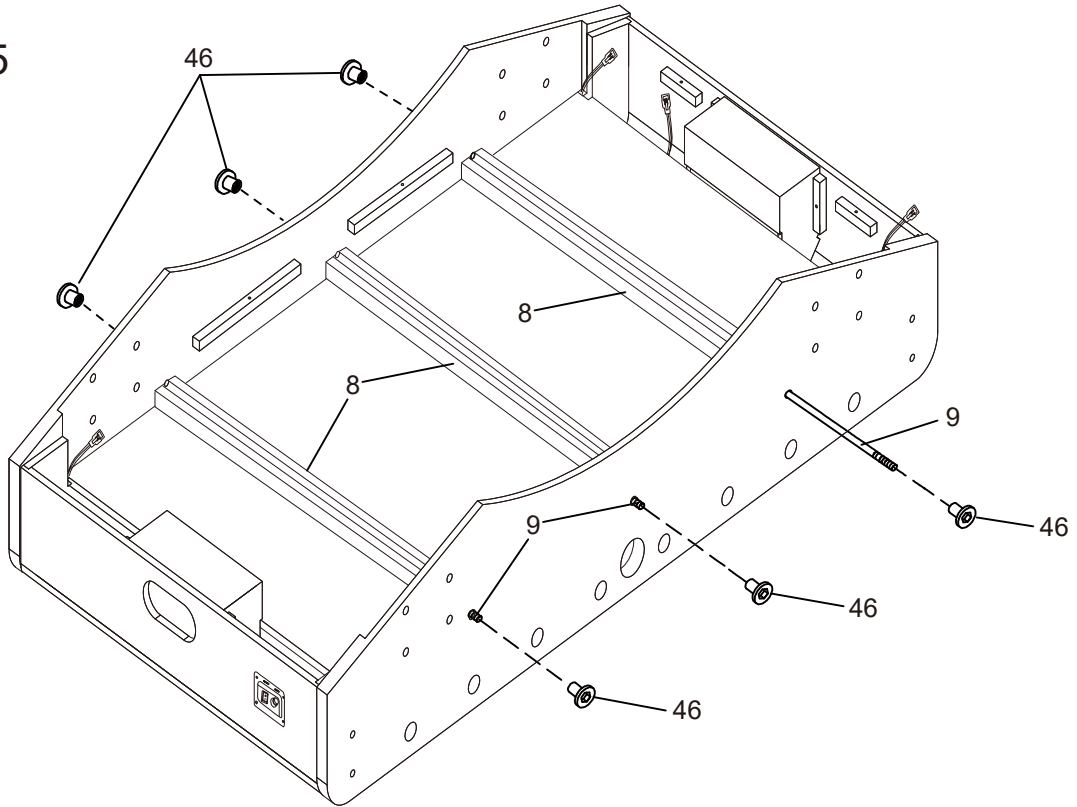
STEP 4



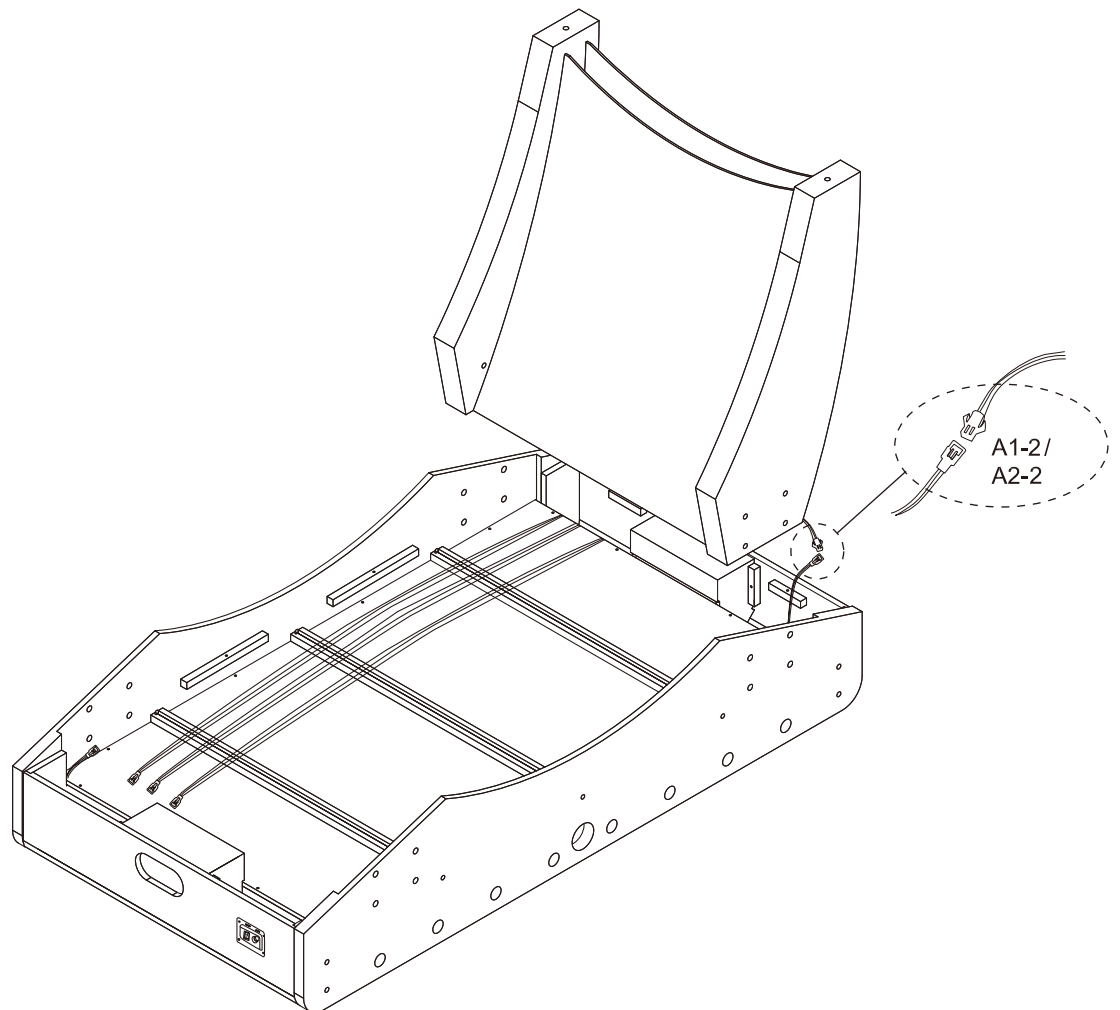
Assembly Instructions

WARNING: TWO ADULTS ARE NEEDED TO ASSEMBLE THE SOCCER TABLE

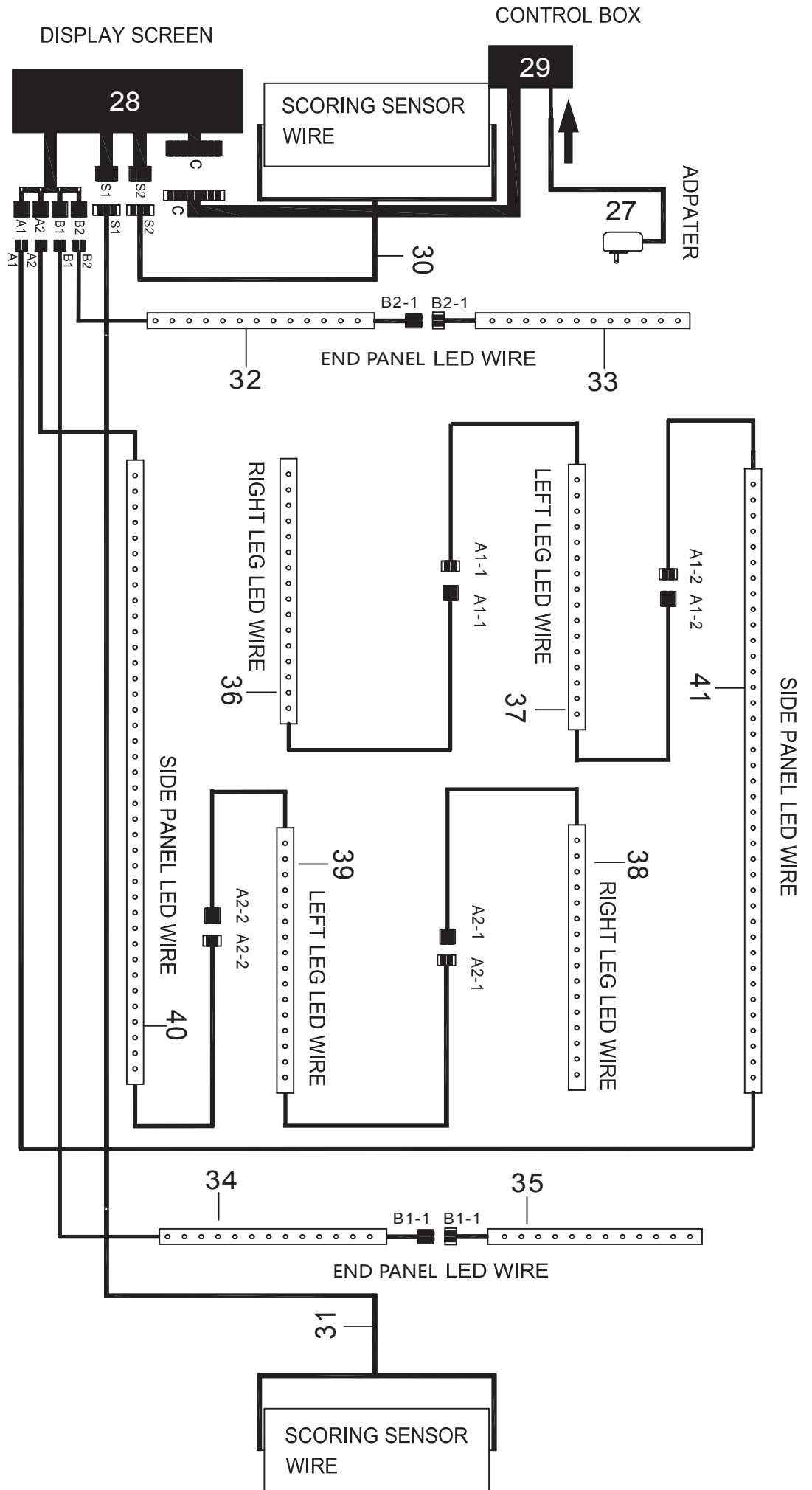
STEP 5



STEP 6



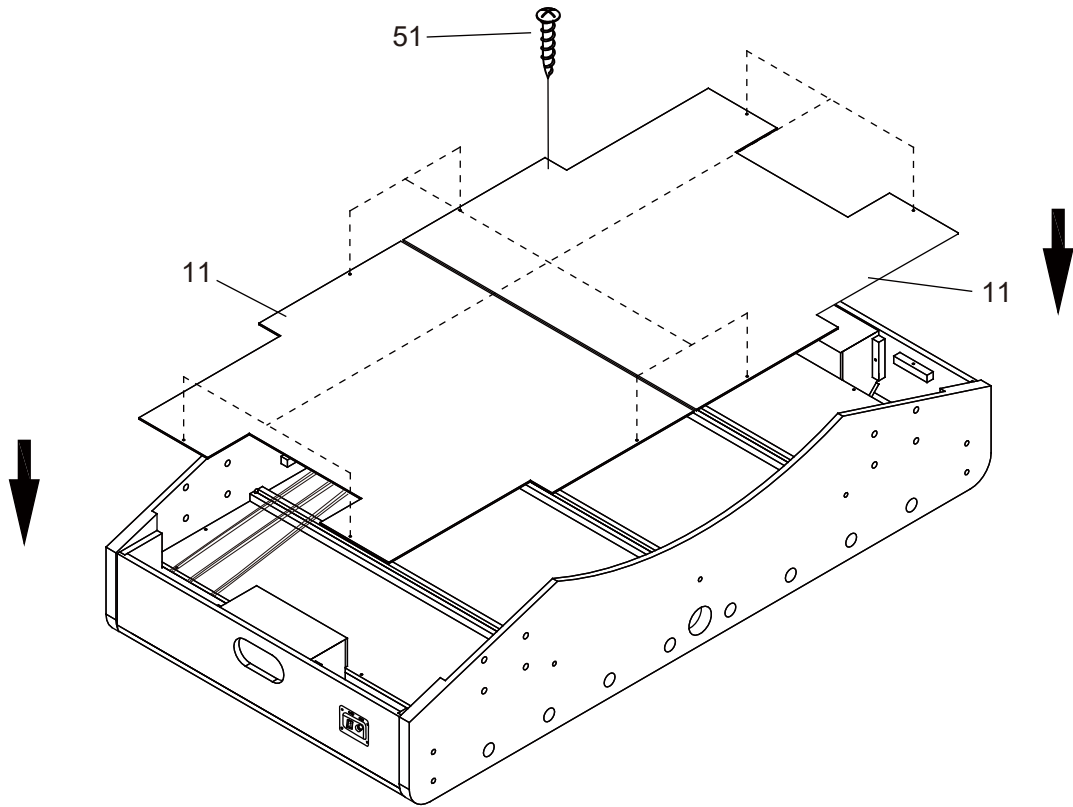
STEP 7



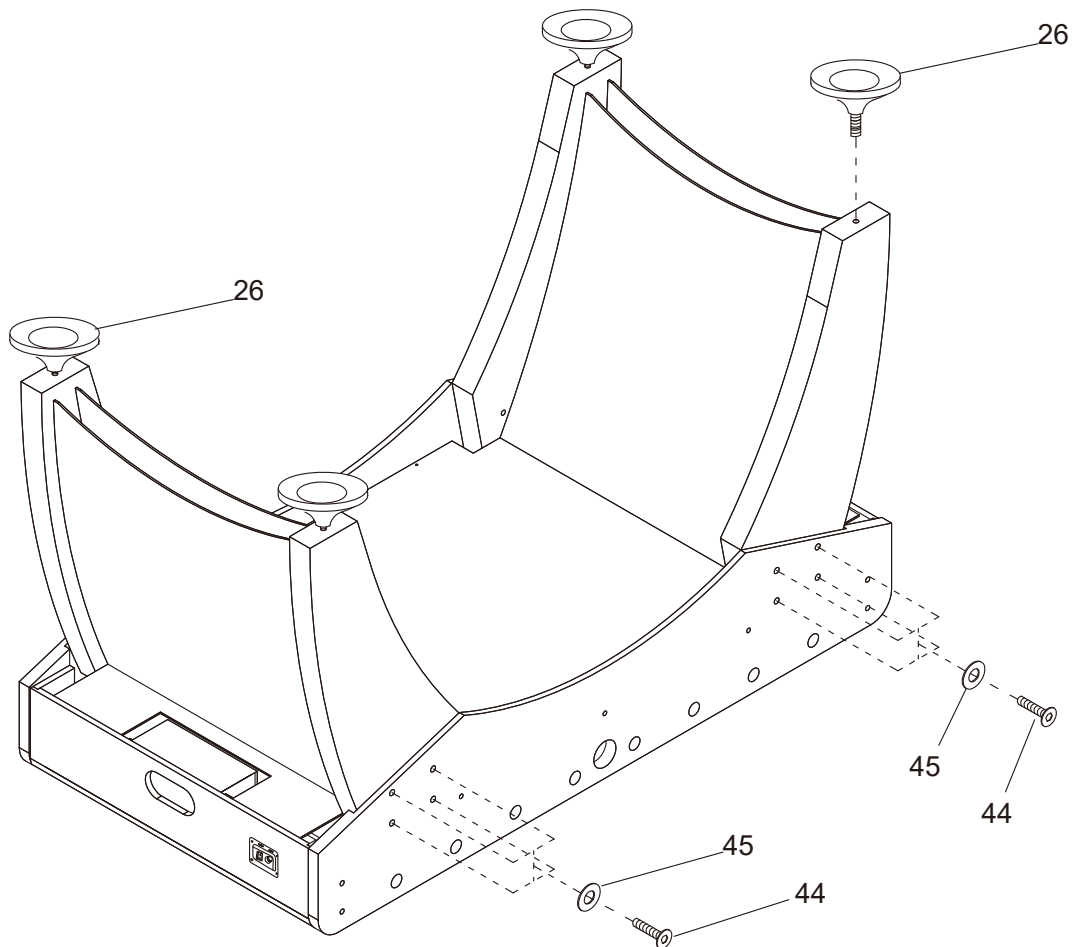
Assembly Instructions

WARNING: TWO ADULTS ARE NEEDED TO ASSEMBLE THE SOCCER TABLE

STEP 8



STEP 9



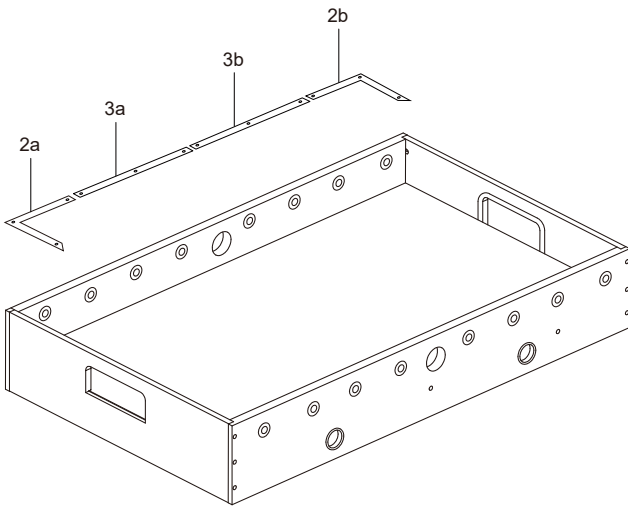
7

Assembly Instructions

WARNING: TWO ADULTS ARE NEEDED TO ASSEMBLE THE SOCCER TABLE

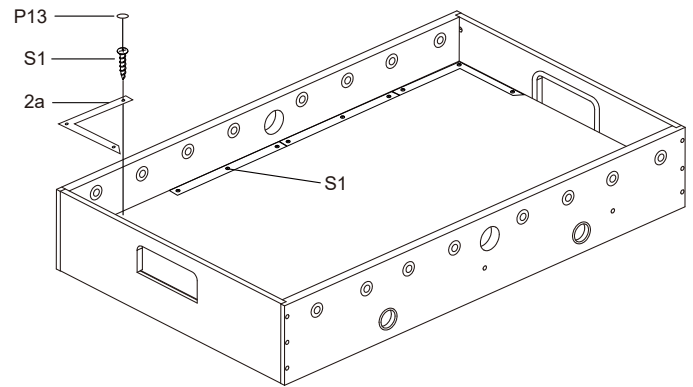
STEP 10A

Steps 10A to 10E are optional if you want.



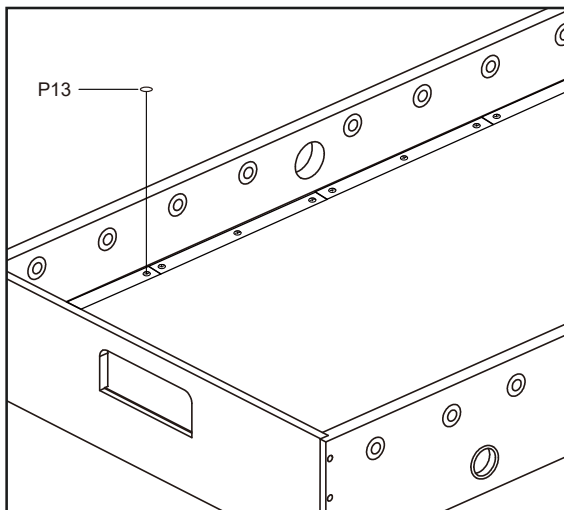
STEP 10B

Attach the plastic 2a, 2b, 3a, 3b to the playing field with S1.

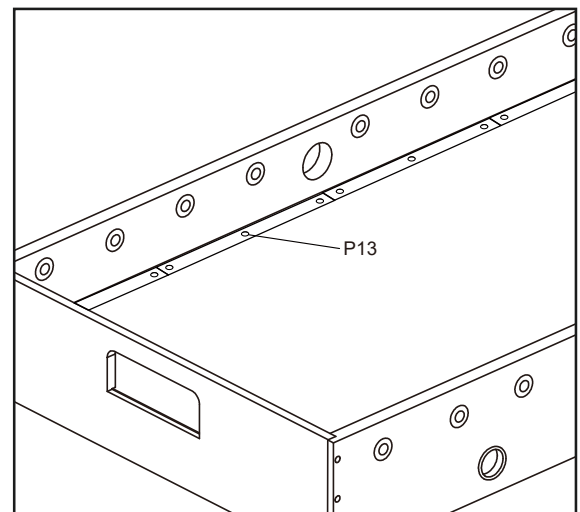


STEP 10C

Cover the Screw Hole Cap P13 to the screw hole.



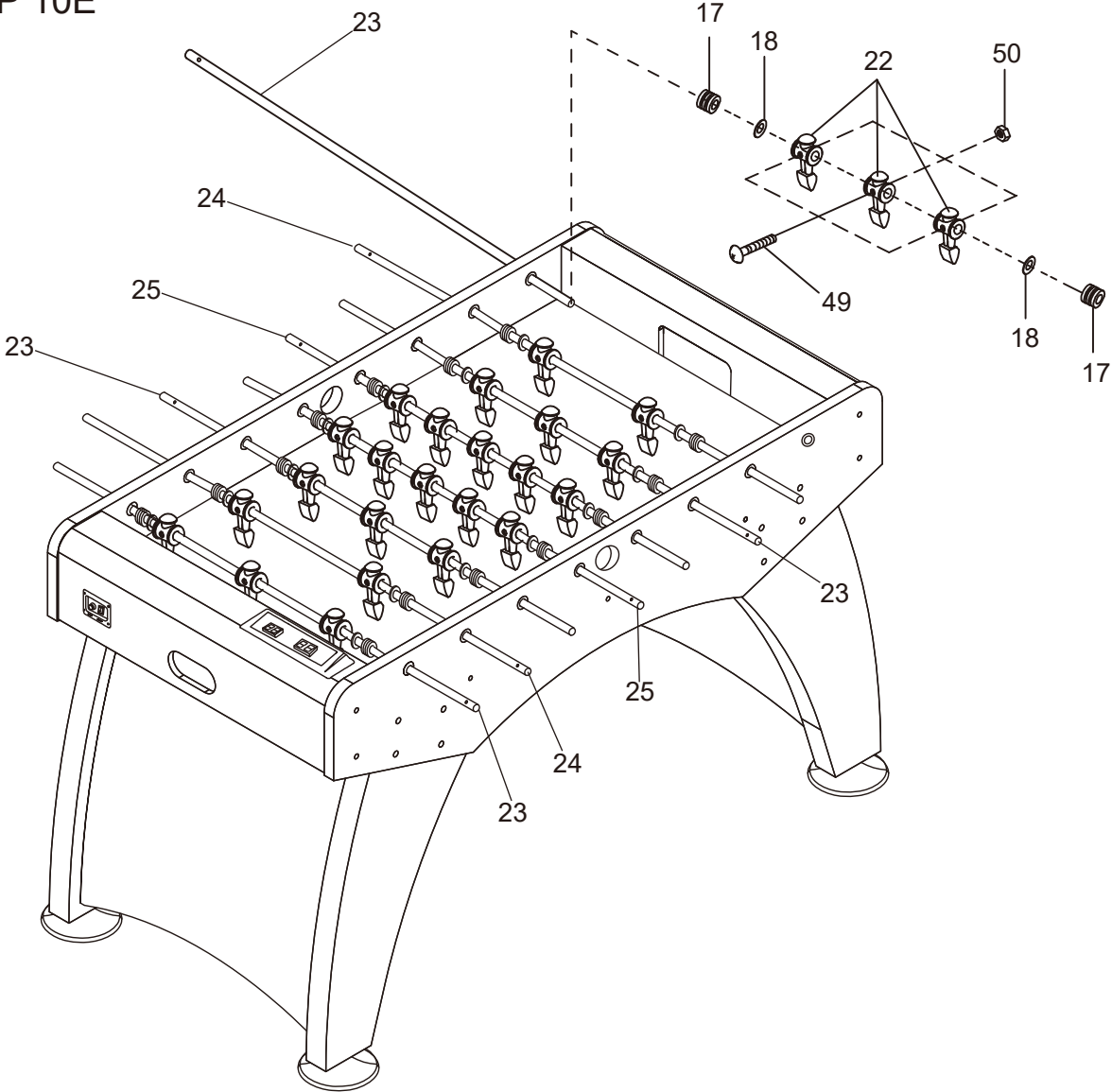
STEP 10D



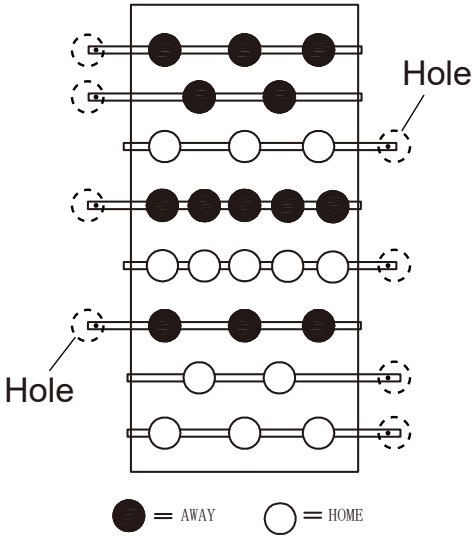
Assembly Instructions

WARNING: TWO ADULTS ARE NEEDED TO ASSEMBLE THE SOCCER TABLE

STEP 10E



Insert the rod end part way through one side panel, and then place the rest of the parts needed on each rod, in the order shown, before inserting through the other side panel.

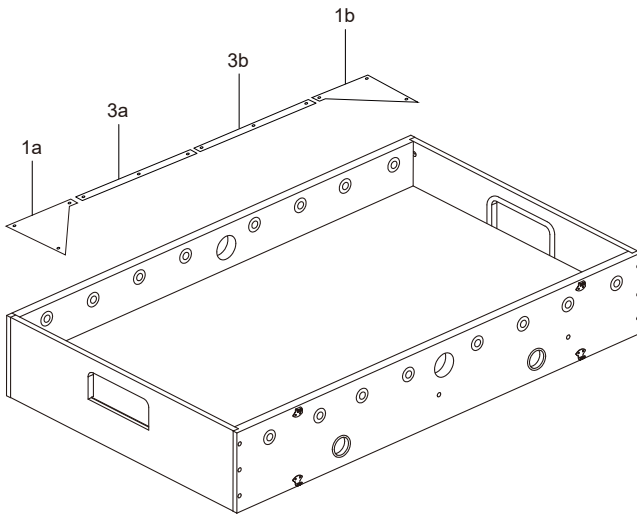


Assembly Instructions

WARNING: TWO ADULTS ARE NEEDED TO ASSEMBLE THE SOCCER TABLE

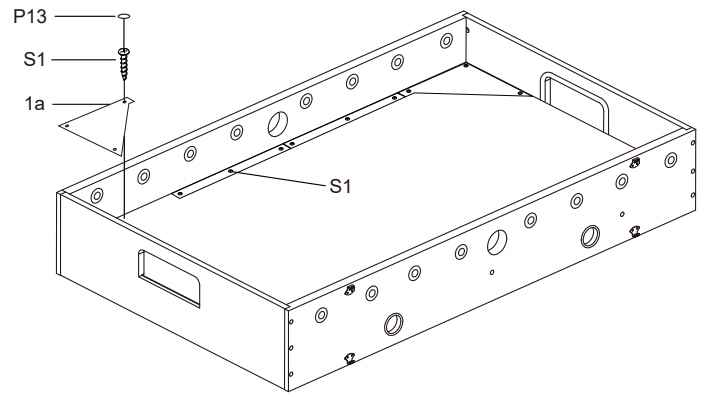
STEP 11A

Steps 11A to 11E are optional if you want.



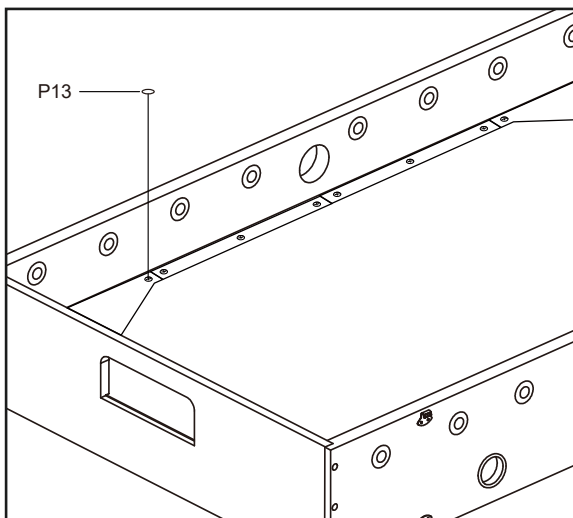
STEP 11B

Attach the plastic 1a, 1b, 3a, 3b to the playing field with S1.

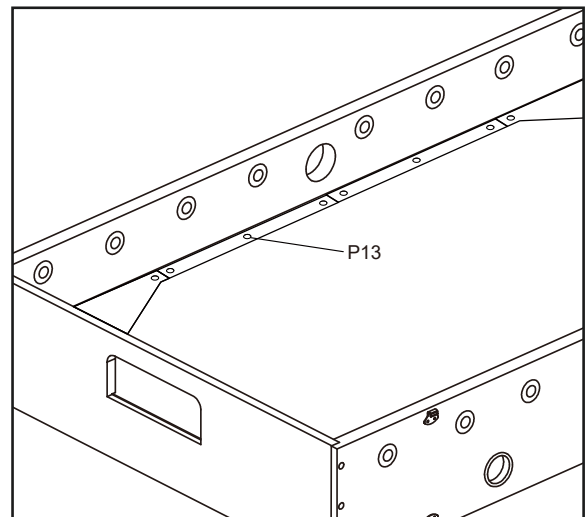


STEP 11C

Cover the Screw Hole Cap P13 to the screw hole.



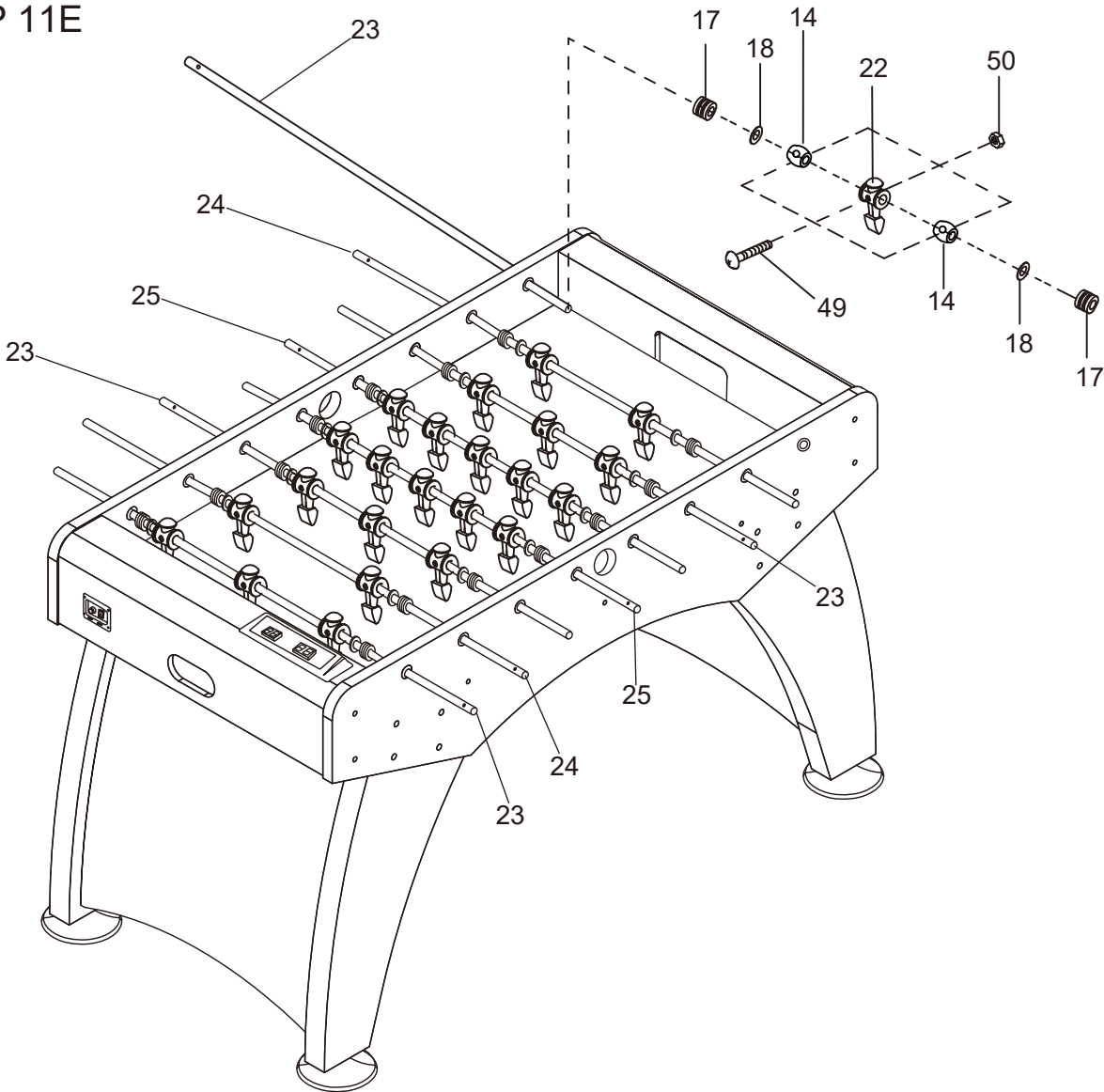
STEP 11D



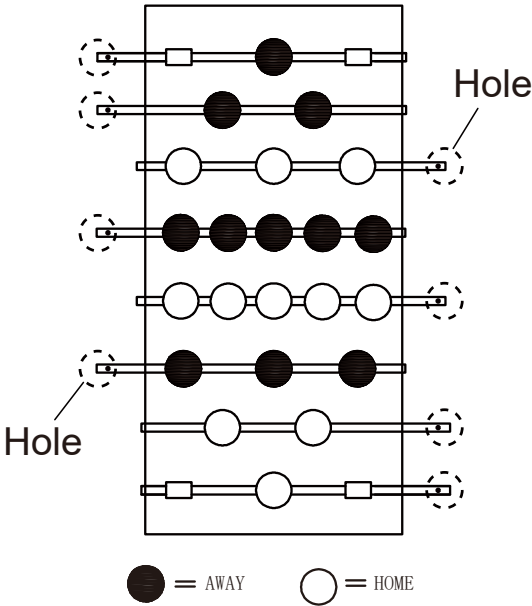
Assembly Instructions

WARNING: TWO ADULTS ARE NEEDED TO ASSEMBLE THE SOCCER TABLE

STEP 11E



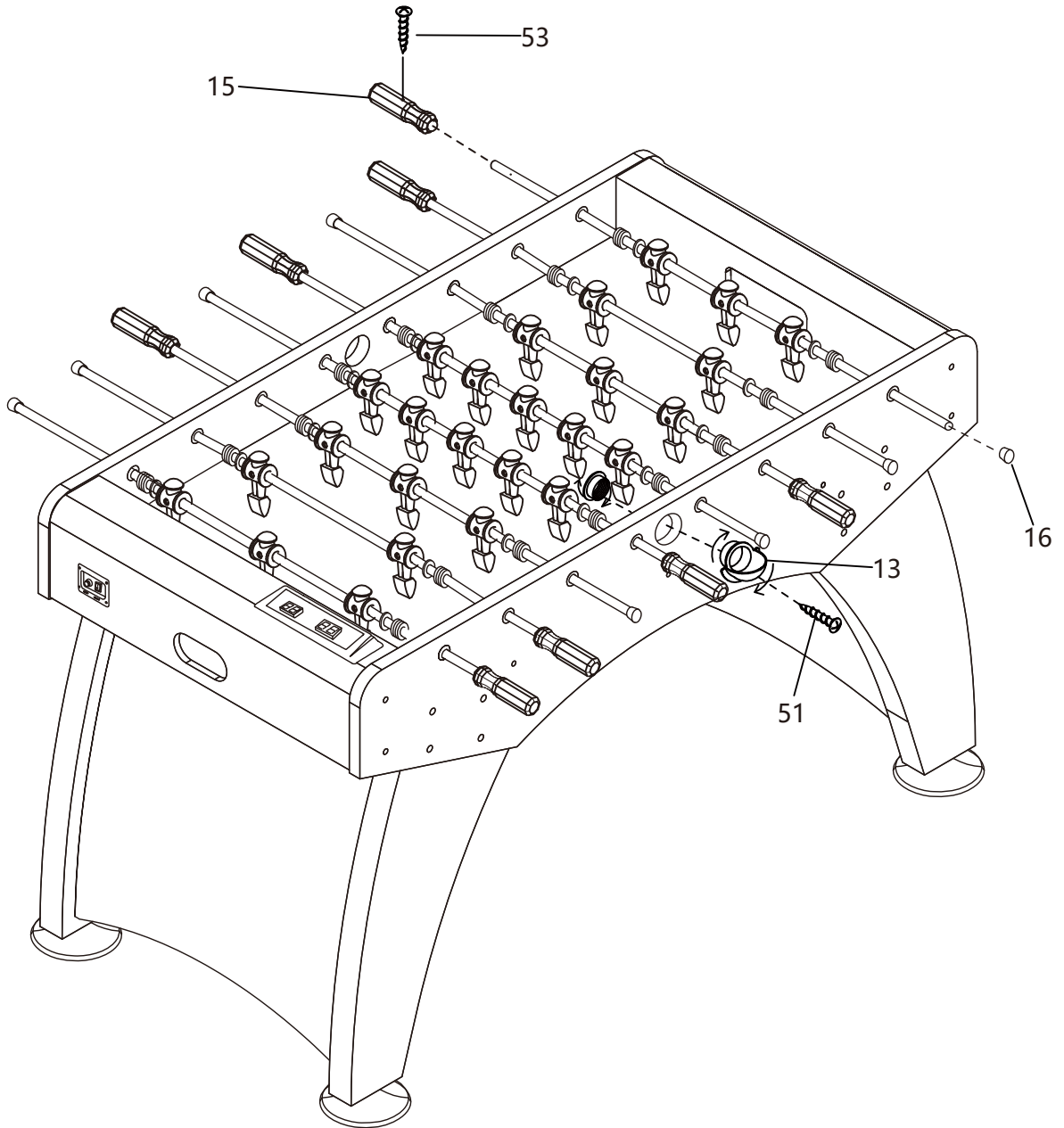
Insert the rod end part way through one side panel, and then place the rest of the parts needed on each rod, in the order shown, before inserting through the other side panel.



Assembly Instructions

WARNING: TWO ADULTS ARE NEEDED TO ASSEMBLE THE SOCCER TABLE

STEP 12



ELECTRNIC SCORING OPERATING INSTRUCTIONS

CONTROL PAD



SCORE DISPLAY



This game can be powered with an electrical outlet by using the included Power Adapter (#39) and plugging it into the back of the Control Box(40).

OPERATING INSTRUCTIONS:

- Use ON/OFF switch: To turn on and turn off the power
- Use RESET button: To start scoring or to start over

1. Turn on the power, by pushing the ON/OFF switch
2. Push the RESET button to start the game.
3. The system starts with no time limit mode, so the first team to score 99 goals is the winner. Or you can set a clock and the winner is the one with the more goals within the specified time.
4. Push the RESET button to restart the game at any time during play.
5. Turn OFF the game when NOT in use.